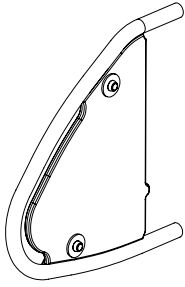
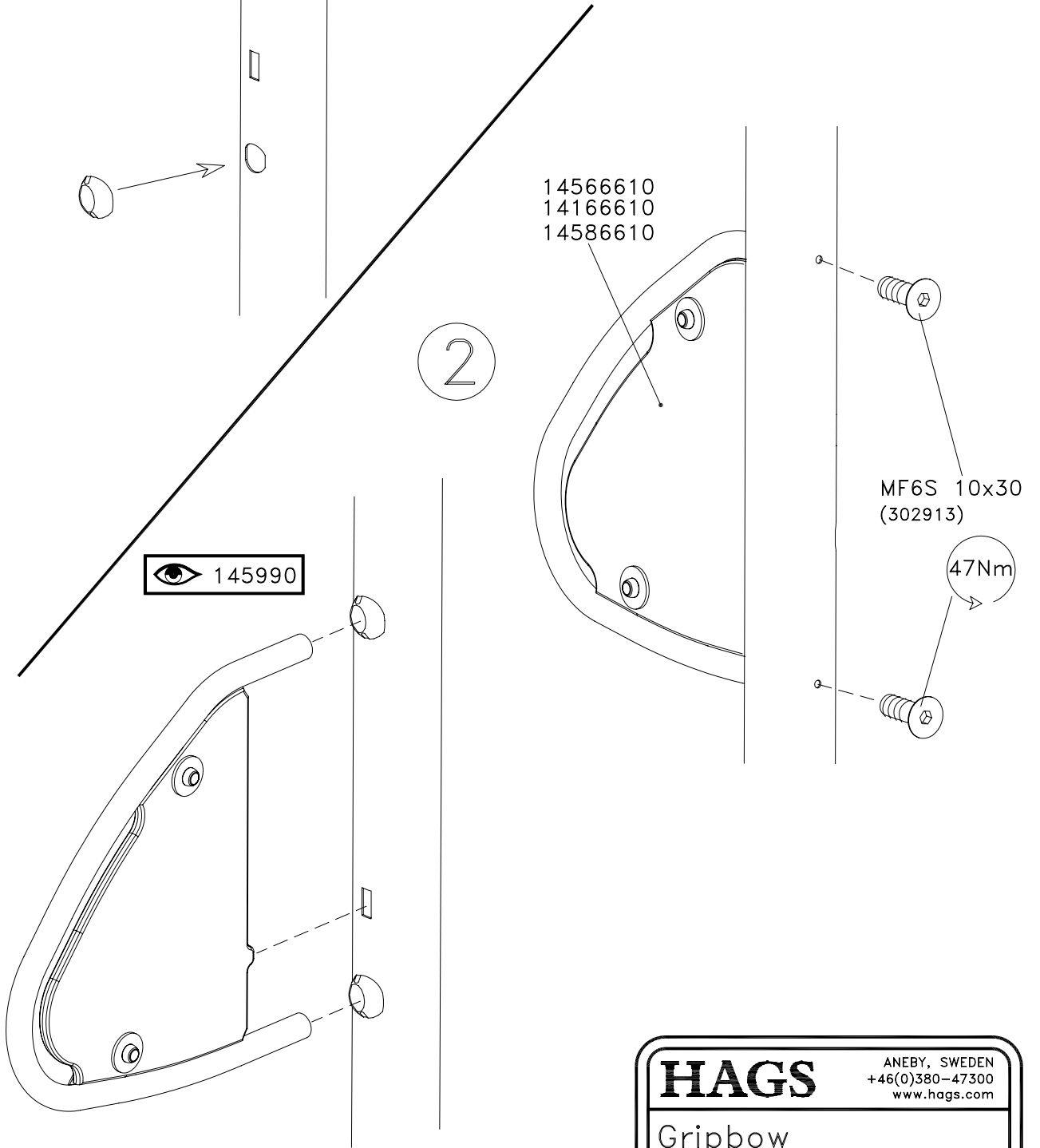




TYPE	HAGS NO.
	14166610 14566610 14186610



<b>HAGS</b>		ANEBY, SWEDEN +46(0)380-47300 www.hags.com	
Gripbow			
142 666			
1(1)			
	ACC		TJ
2009-11-13		2	