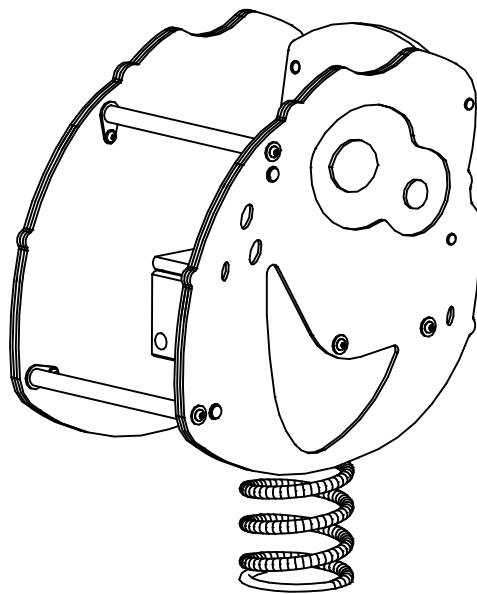
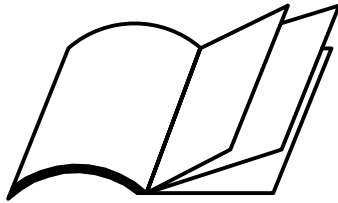


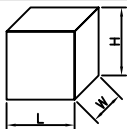
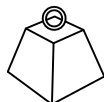

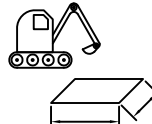
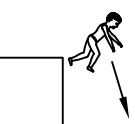

# HAGS

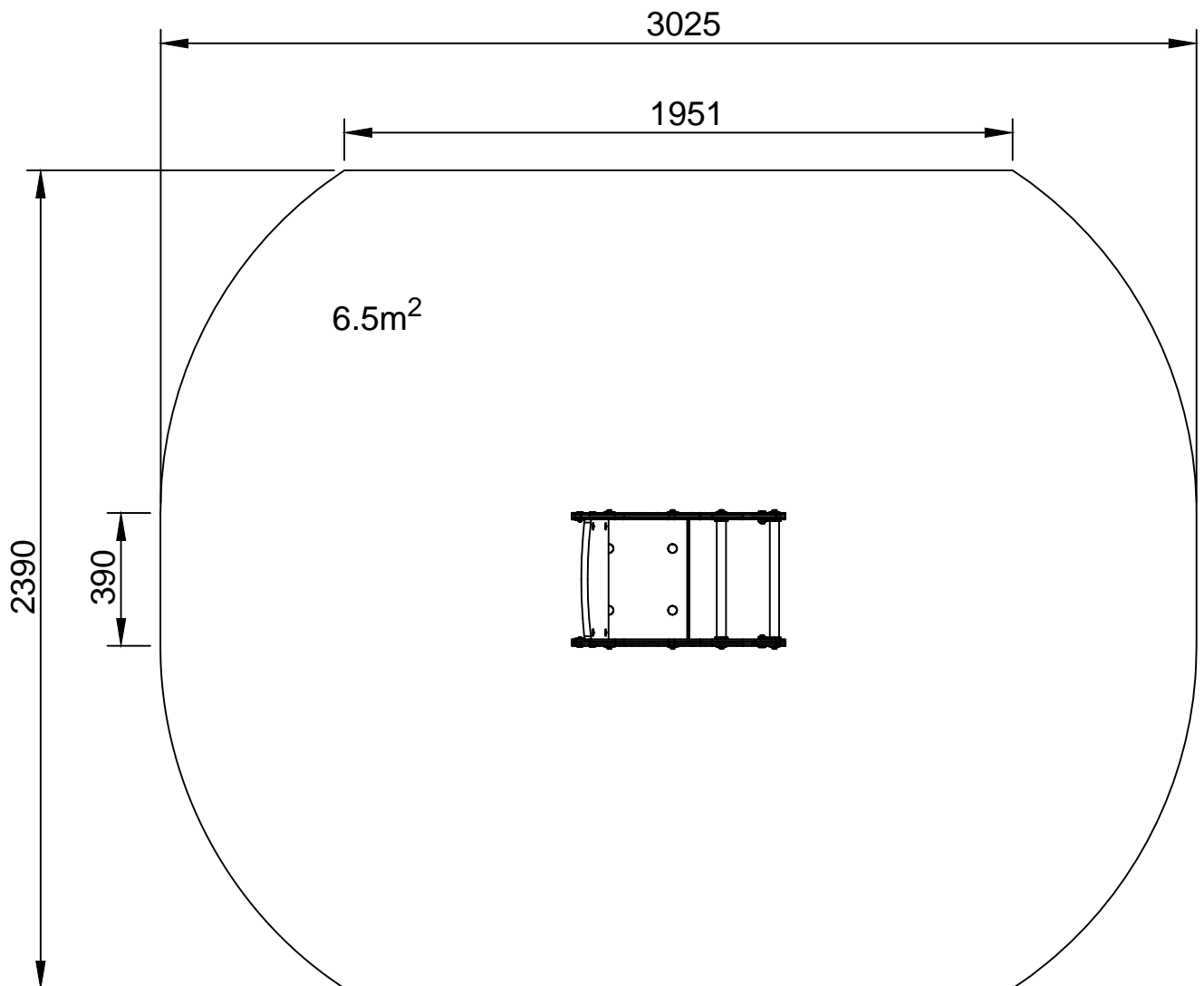
**ZINGO YO YO**

**X - YOY & X-YOYD**

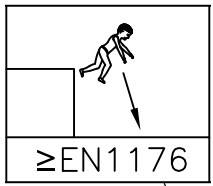
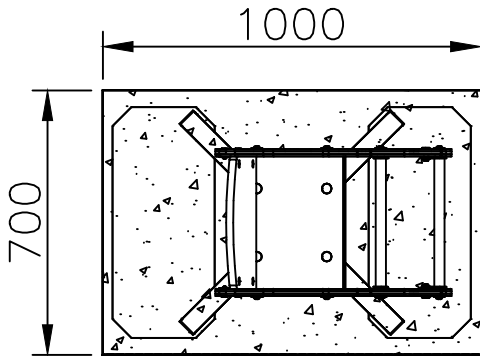
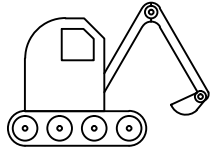




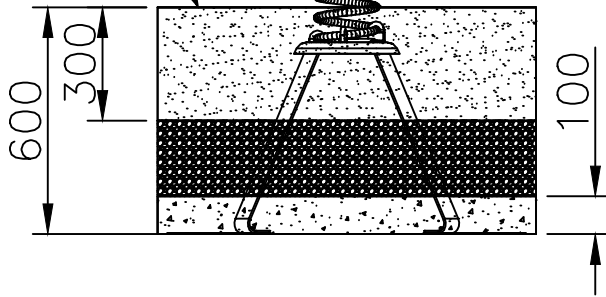
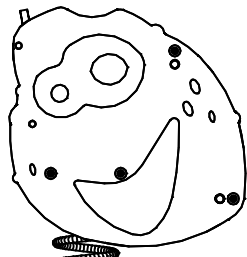
	 LxWxH (m)	 kg	 m <sup>3</sup>	 m	 ≥EN1176	 x 2= T
<b>TYPE 1 / 2</b>	0.63 x 0.39 x 0.81	85	0.07	3.00 x 3.00	0.60m	T = 2h
<b>TYPE 3</b>	0.63 x 0.39 x 0.91		0.05		0.60m	



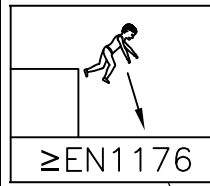
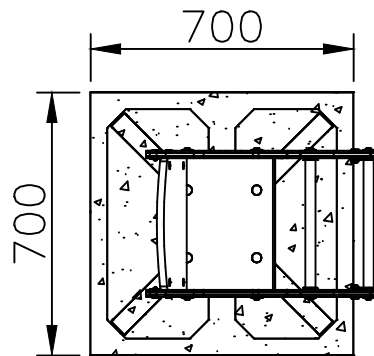
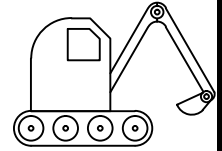
### TYPE 1 / 2



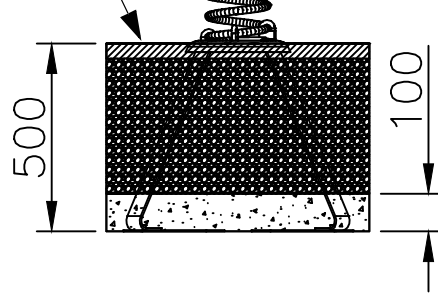
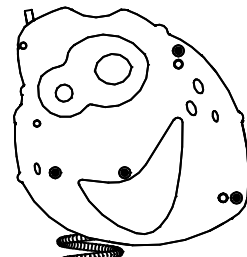
0.60m

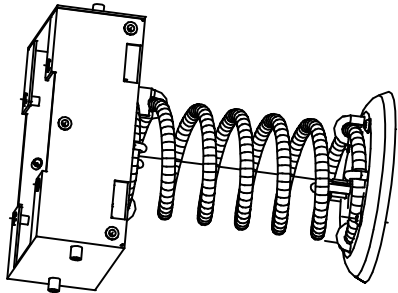
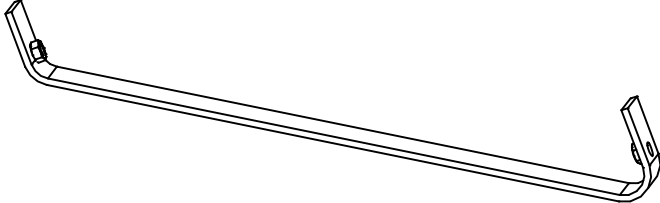
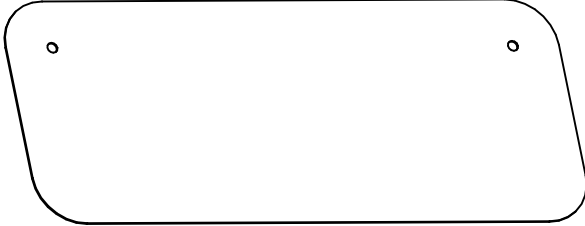
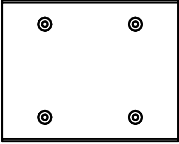
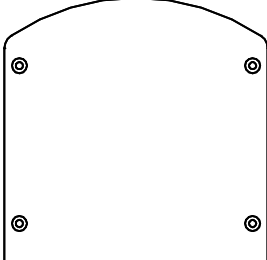
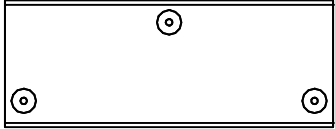
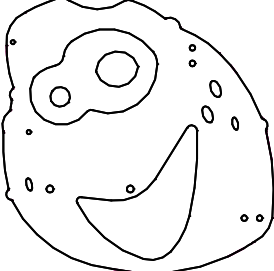
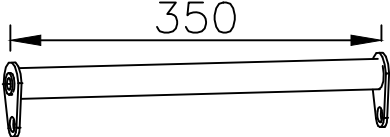


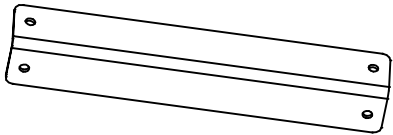

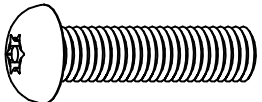
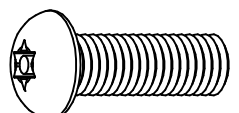
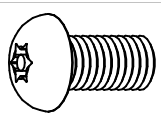
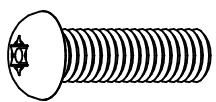
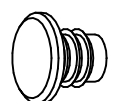
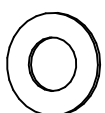
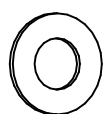
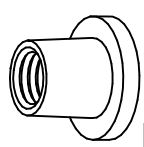
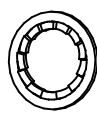
### TYPE 3

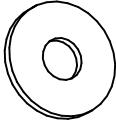
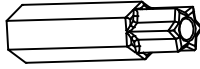



0.60m

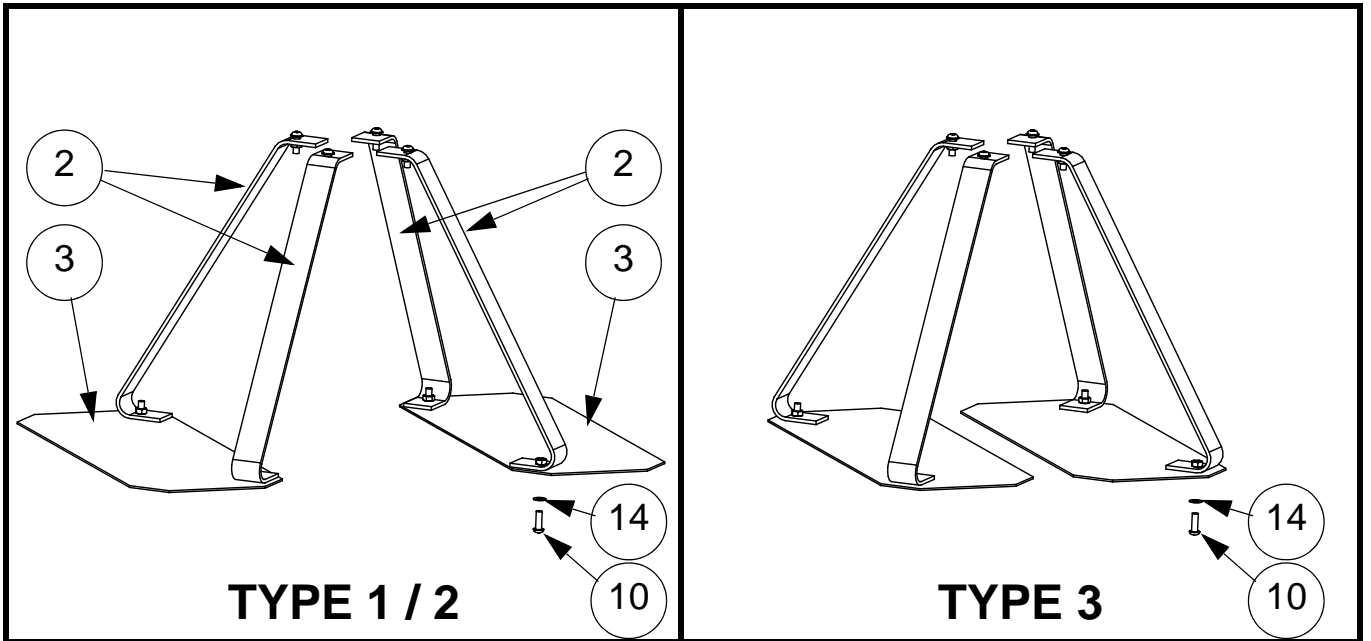


ITEM	REF		X-YOY	Kg.
1	86519999		1	24.00
2	86009002		4	1.750
3	86009001		2	2.000
4A	86520000		1	1.72
4B			1	2.06
4C			2	0.86
5	56010010		1PR	5.90
6	86529001		2	0.70

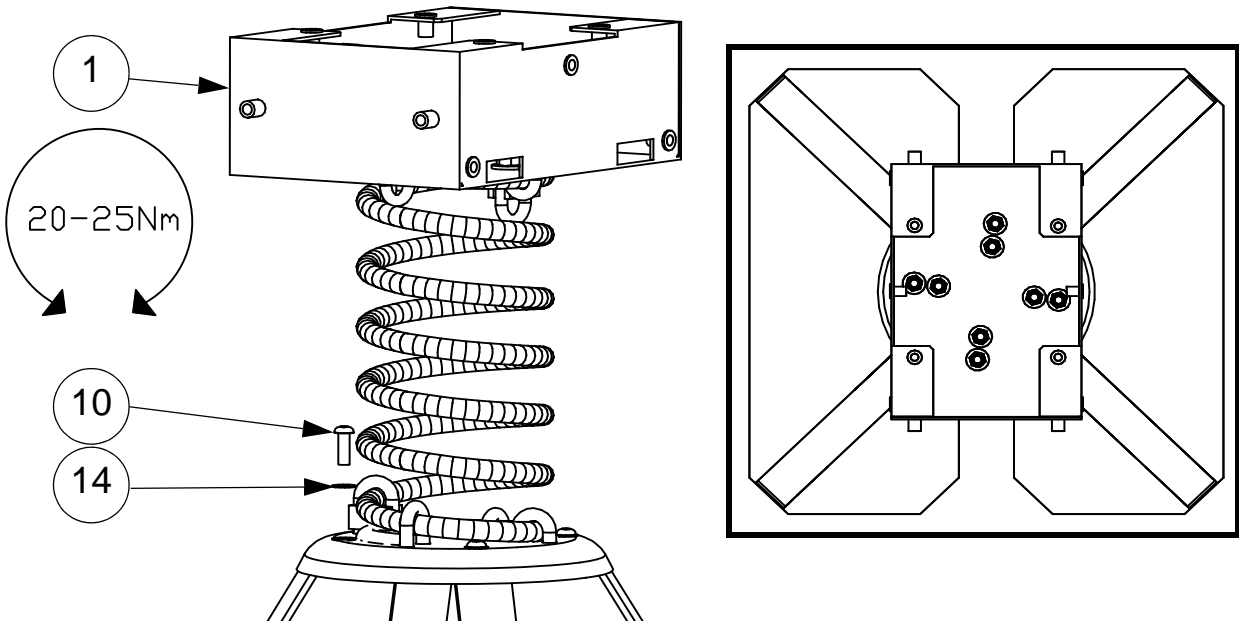
ITEM	REF		X-YOY	Kg.
7	86529002		2	0.03
8	19028651		10	0.002
9	10121040	 M10 X 40	8	0.037
10	10121030	 M10 X 30	8	0.028
11	10121020	 M10 X 20	14	0.020
12	10120620	 M6 X 20	8	0.009
13	10930600	 M6	8	0.006
14	10291000	 M10 11X21X1	22	0.002
15	10290600	 M6 6.4X12.6X1	8	0.001
16	10931000	 M10	4	0.020
17	10301200	 M12 13X20X1	4	0.002

ITEM	REF		X-YOY	Kg.
18	10309999	 M10 11X30X2.5	8	0.011
19	10121000	 T45 M10	1	-
20	10120600	 T30 M6	1	-

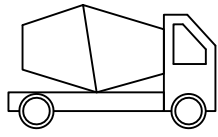


### STEP 1



### STEP 2

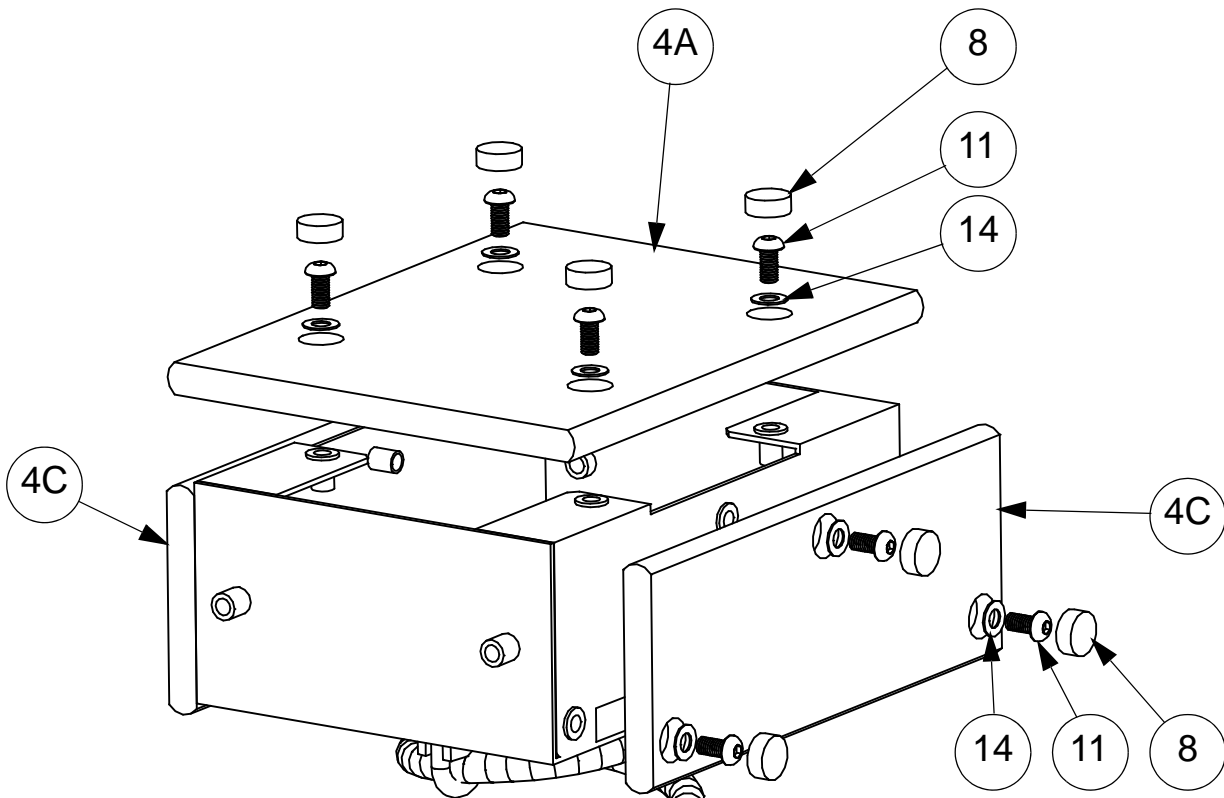


### STEP 3


S2 (50mm) ≥C20-25
 7 x 24h
 101

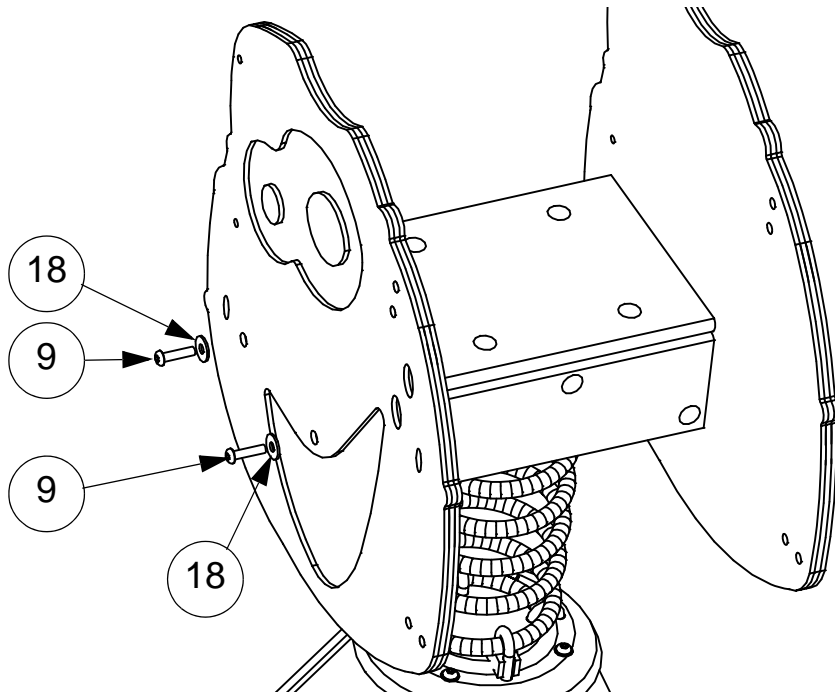


### STEP 4

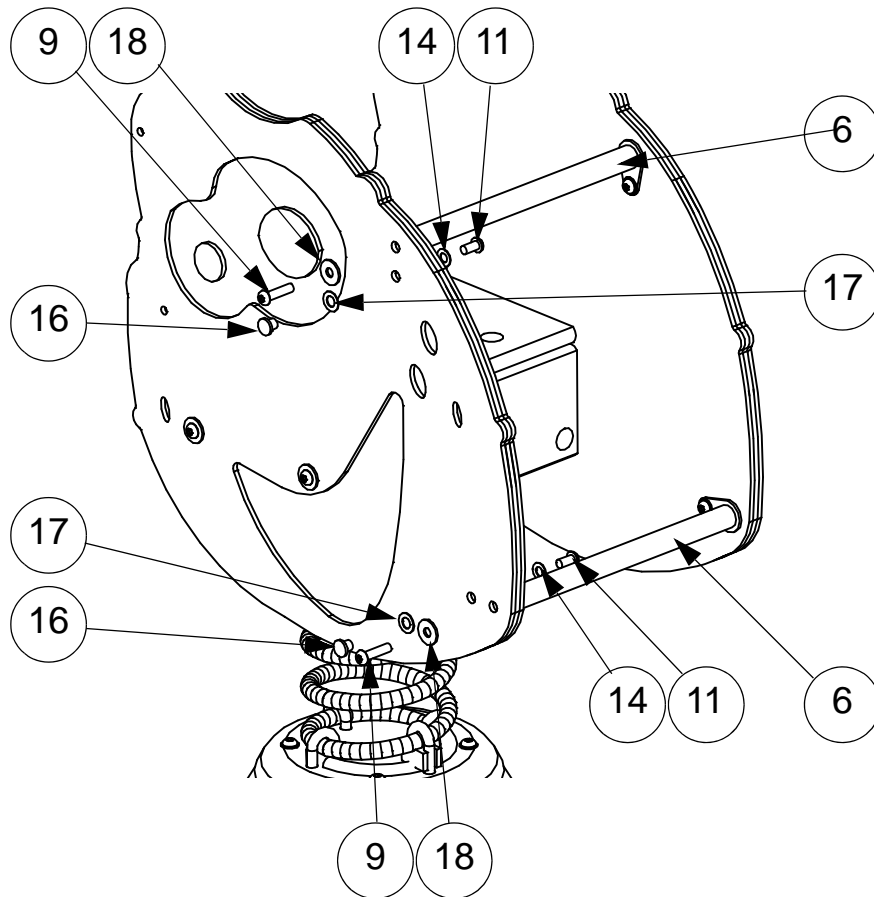




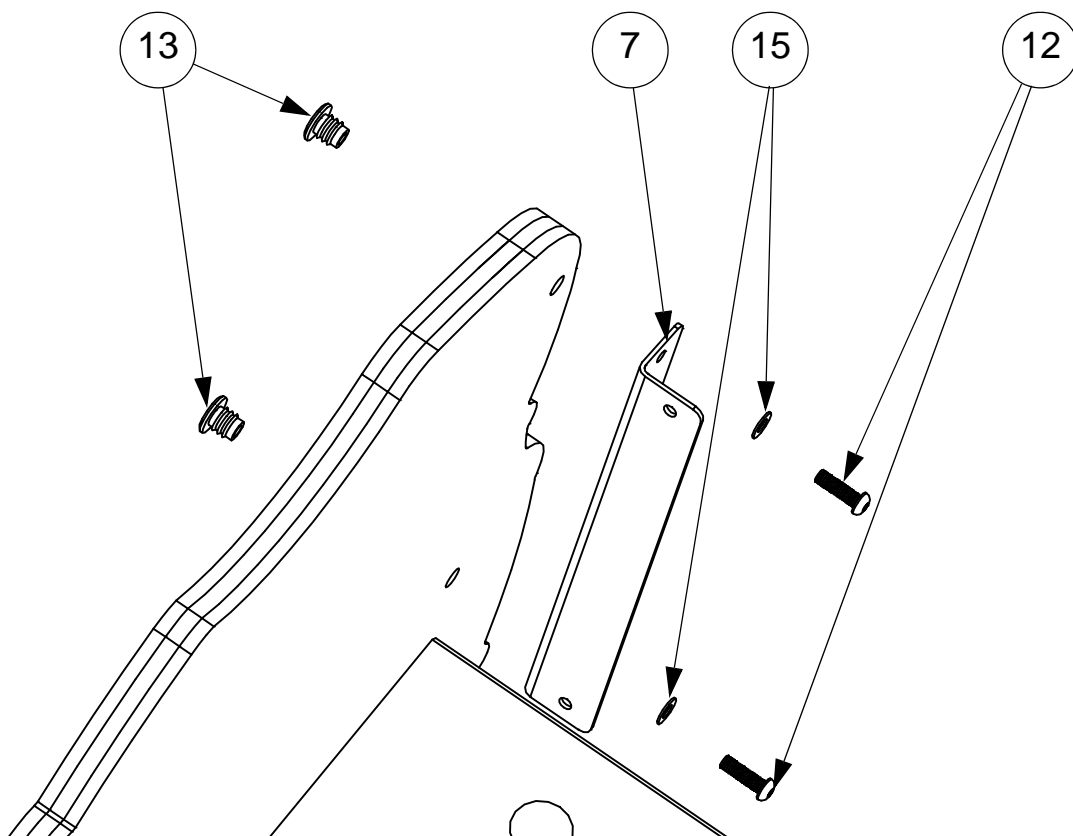
# STEP 5



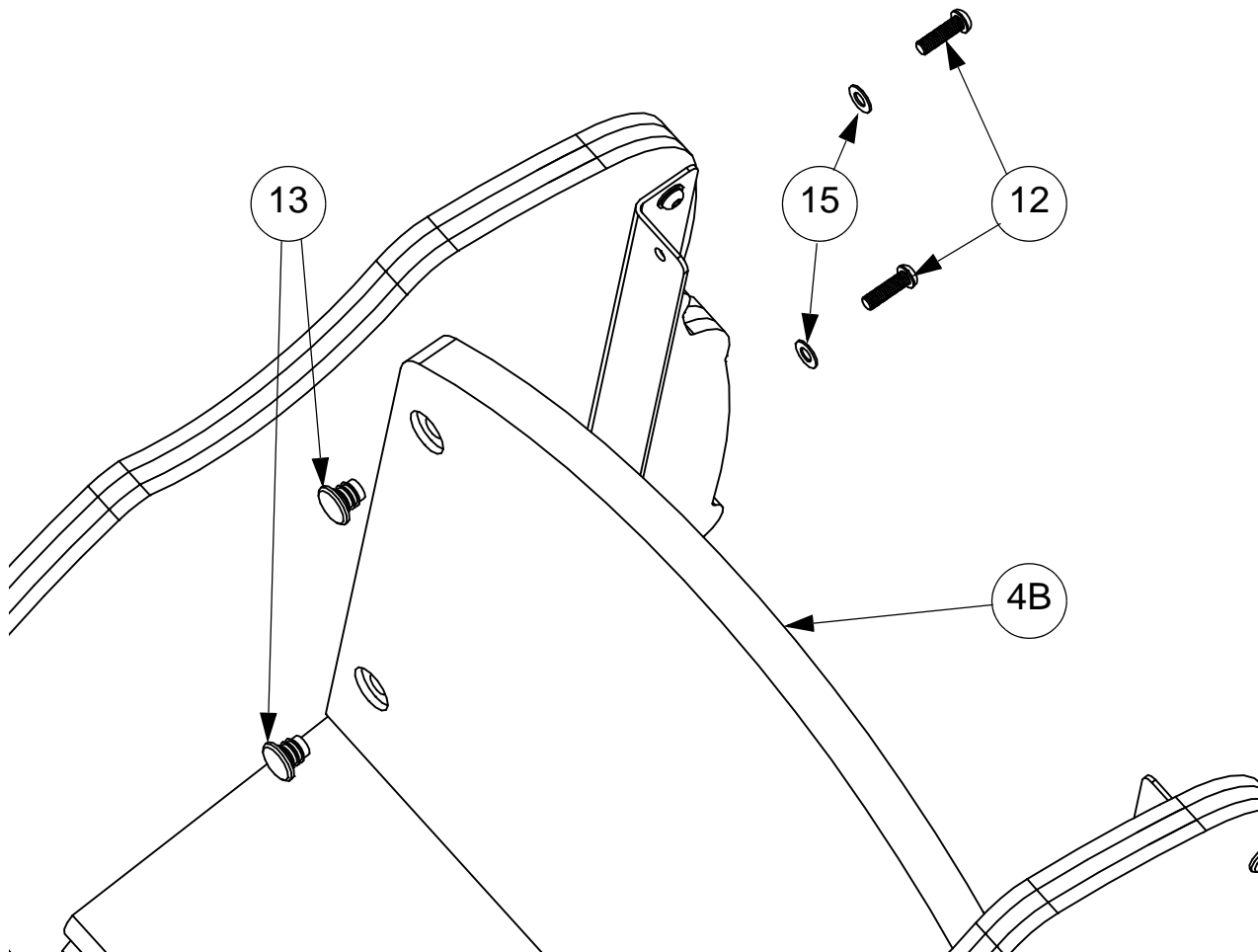
# STEP 6



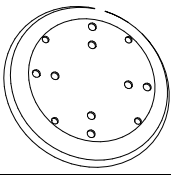
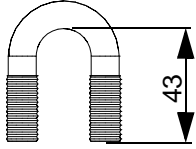
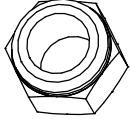
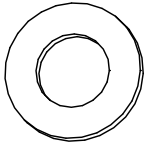
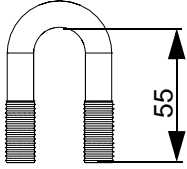
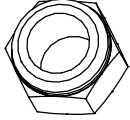
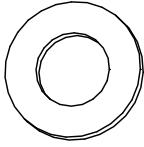
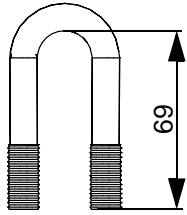
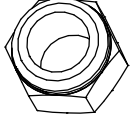
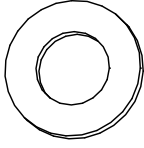
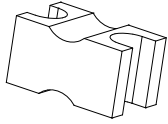
# STEP 7

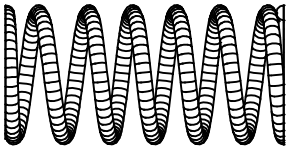
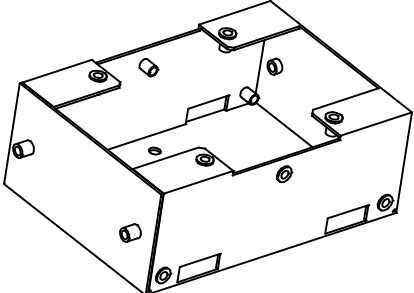


# STEP 8

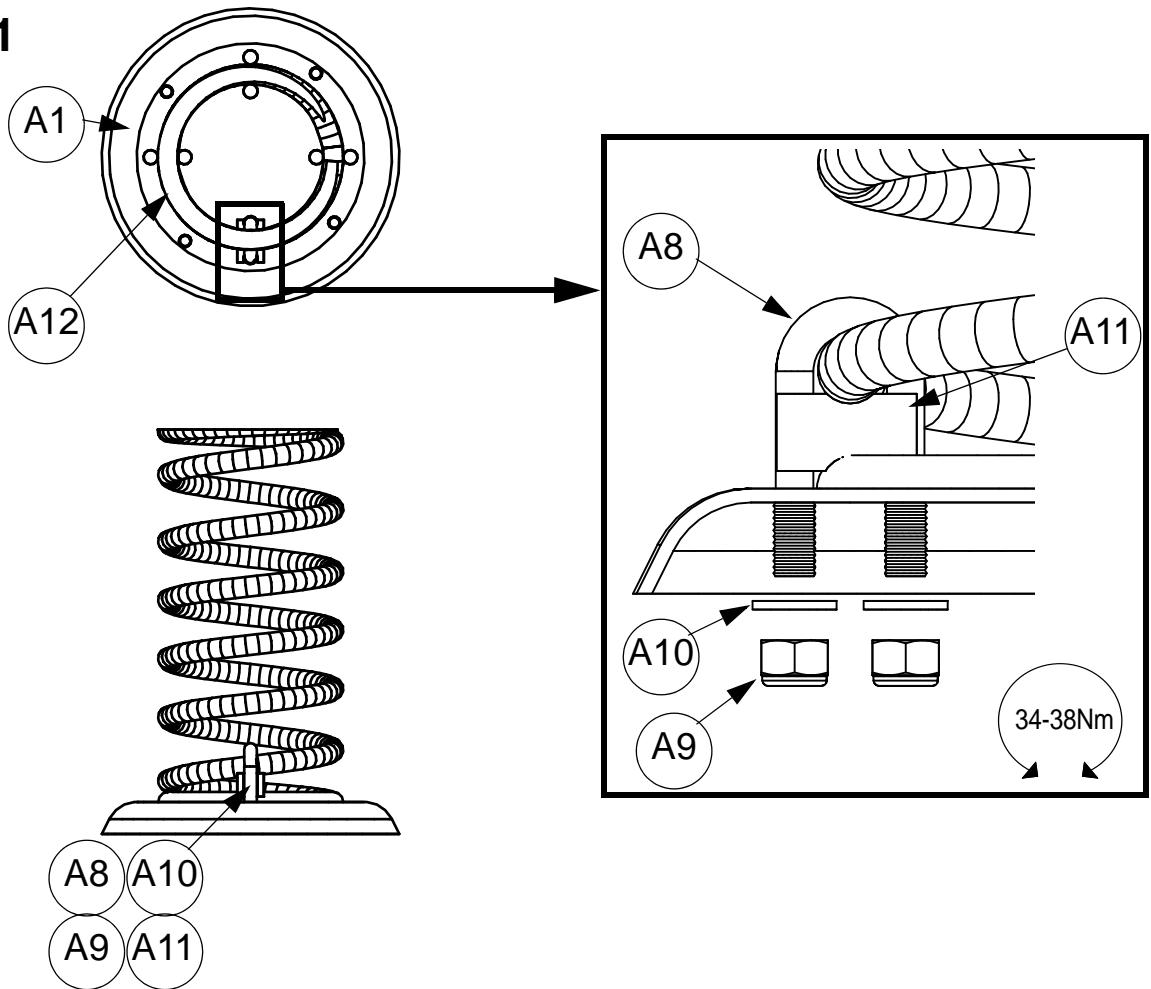


## Appendix A: 86519999

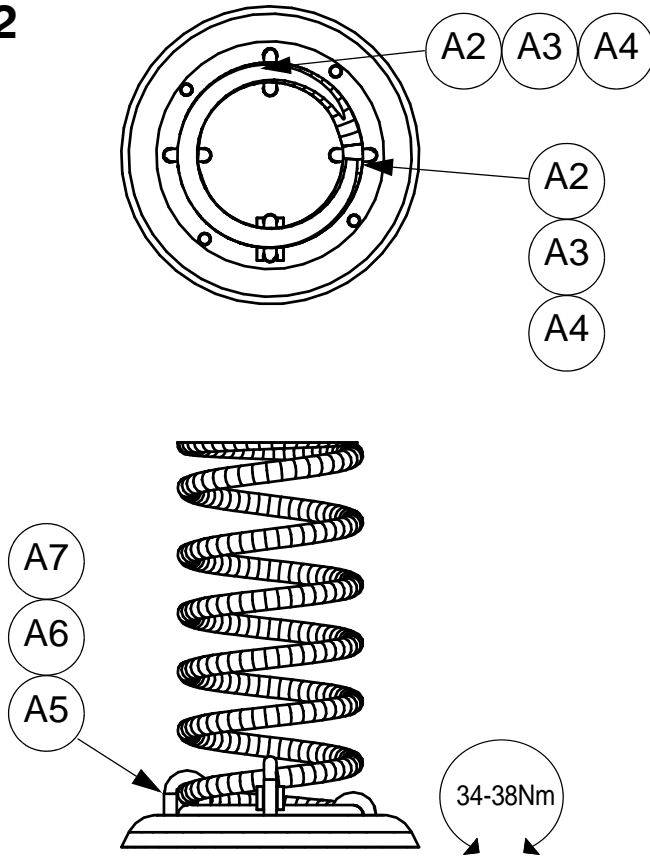
ITEM	REF.		QTY.	Kg.
A1	86009003		1	2.500
A2	86009006A		4	0.080
A3			8	0.010
A4			8	0.003
A5	86009006B		2	0.100
A6			4	0.010
A7			4	0.003
A8	86009006C		2	0.120
A9			4	0.010
A10			4	0.003
A11	86009007		2	0.001

ITEM	REF.		QTY.	Kg.
A12	86009005		1	8.000
A13	86519004		1	4.000

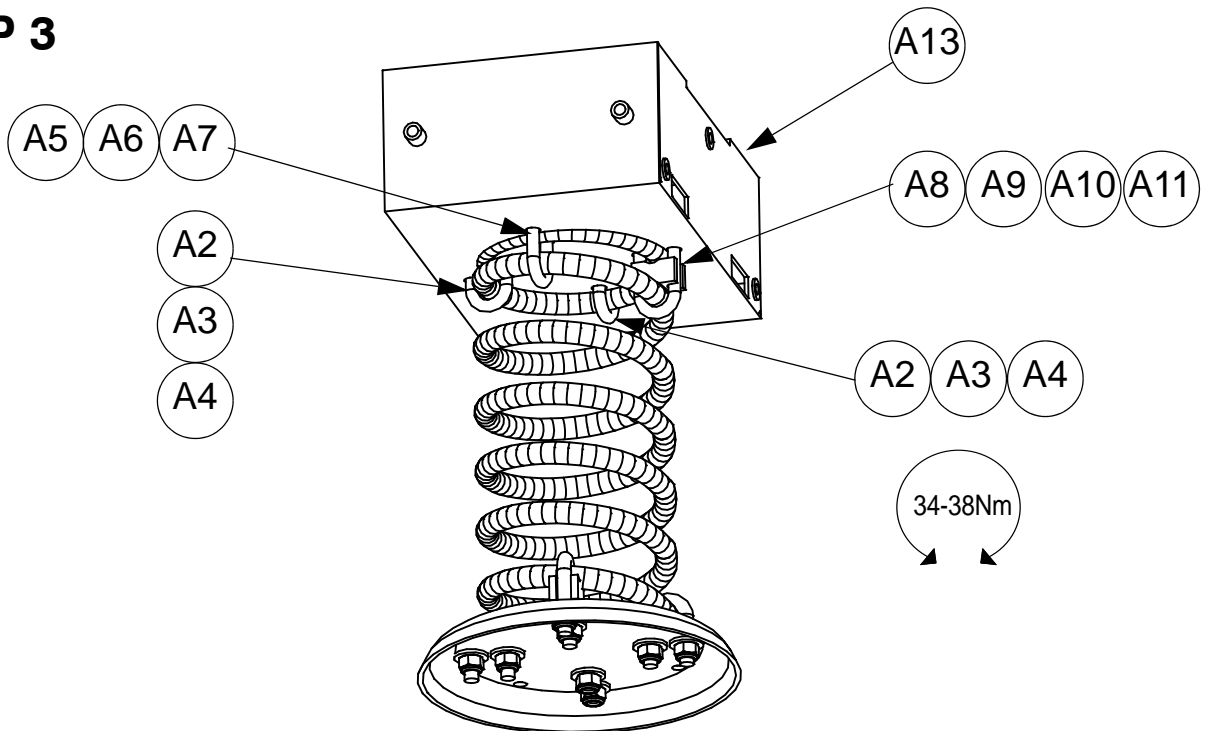
### STEP 1

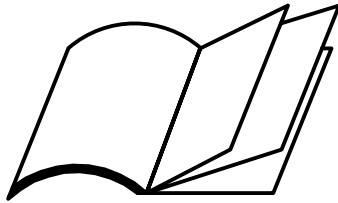


### STEP 2

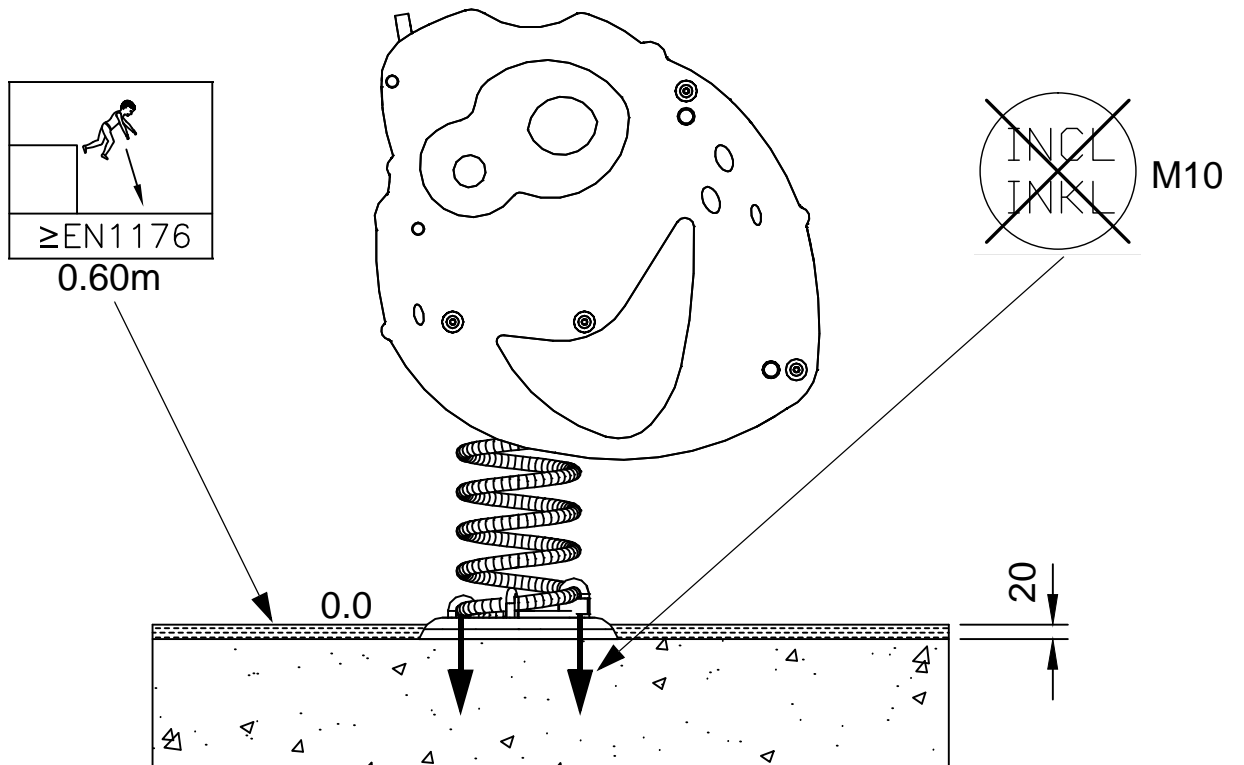


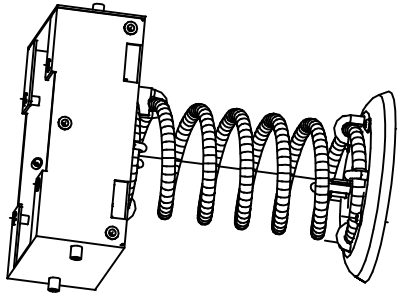
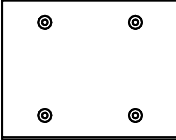
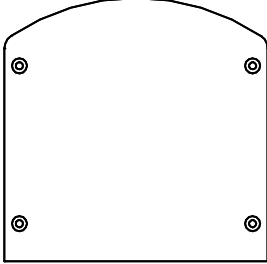
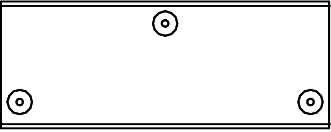
### STEP 3

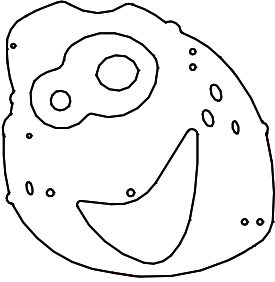
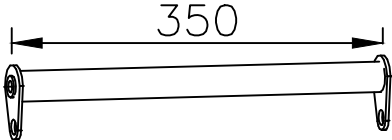
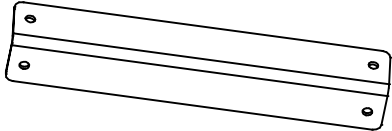

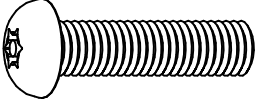
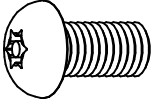
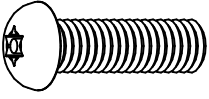
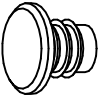
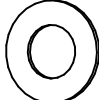
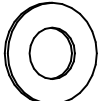




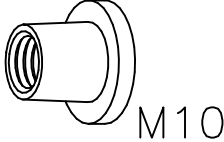
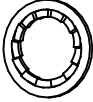
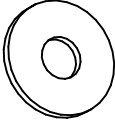
Appendix B: X-YOYOD

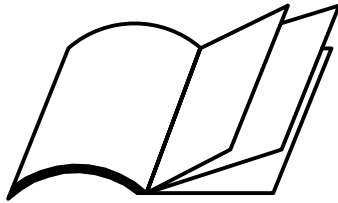


ITEM	REF		QTY	Kg.
1	86519999		1	24.00
4A	86520000		1	1.72
4B			1	2.06
4C			2	0.86

ITEM	REF		QTY	Kg.
5	56010010		1	5.90
6	86529001		2	0.70
7	86529002		2	0.03
8	19028651		10	0.002
9	10121040	 <p data-bbox="576 1084 815 1124">M10 X 40</p>	8	0.037
11	10121020	 <p data-bbox="576 1263 815 1303">M10 X 20</p>	14	0.020
12	10120620	 <p data-bbox="576 1449 788 1489">M6 X 20</p>	8	0.009
13	10930600	 <p data-bbox="647 1630 708 1671">M6</p>	8	0.006
14	10291000	 <p data-bbox="557 1800 799 1841">M10 11X21X1</p>	14	0.002
15	10290600	 <p data-bbox="557 1977 815 2018">M6 6.4X12.6X1</p>	8	0.001



ITEM	REF		QTY	Kg.
16	10931000	 M10	4	0.020
17	10301200	 M12 13X20X1	4	0.002
18	10309999	 M10 11X30X2.5	8	0.011



**Appendix C:**

