
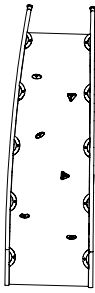
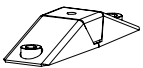
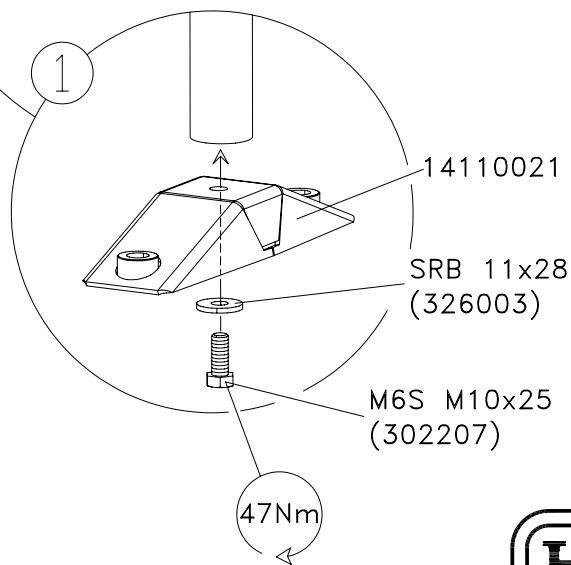
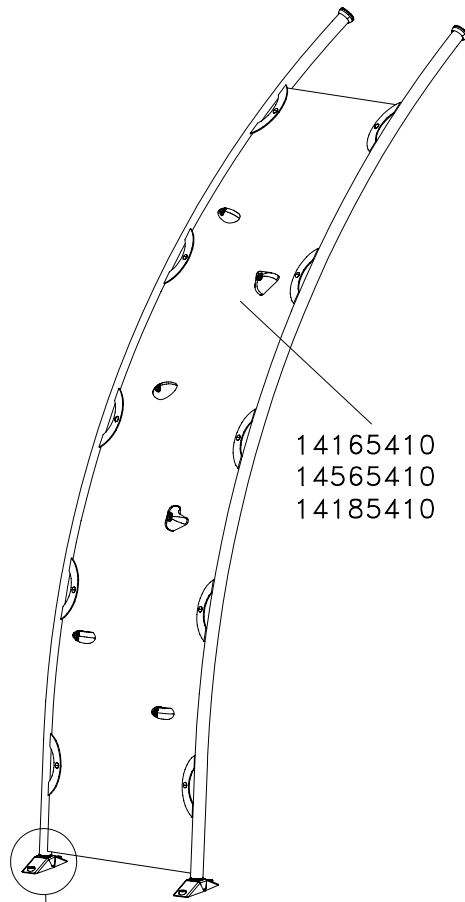


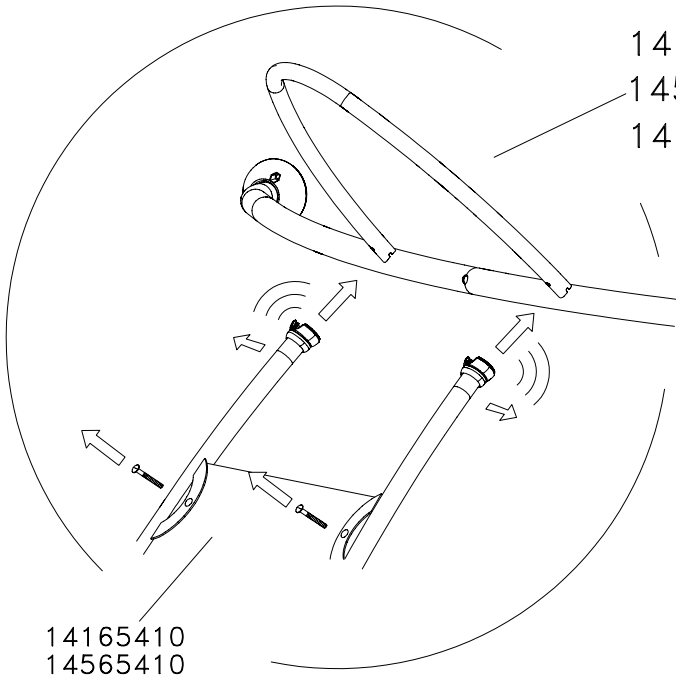


TYPE	ART.NO
	14165411 14565411 14185411
	14165410 14565410 14185410
 0,24x0,08m	14110021 (2x)

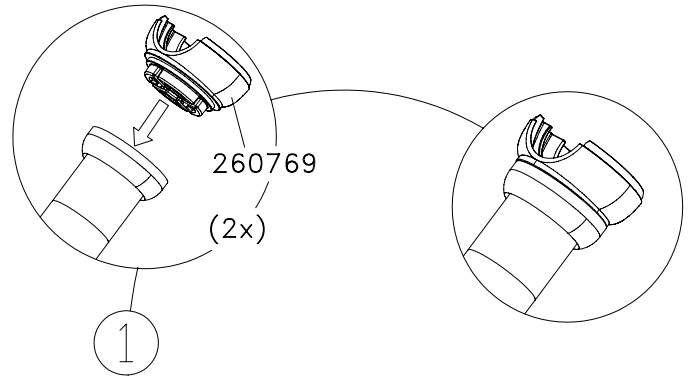


HAGS	ANEBY, SWEDEN +46(0)380-47300 www.hags.com		
	Steep 142 654 OM 1(3)		
	AK	 TJ	2009-11-13 1

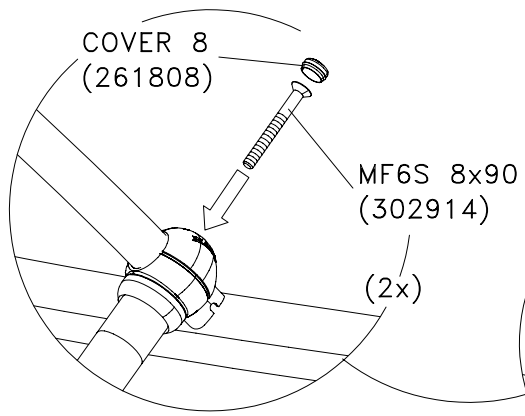
14165411
14565411
14185411



14165410
14565410
14185410



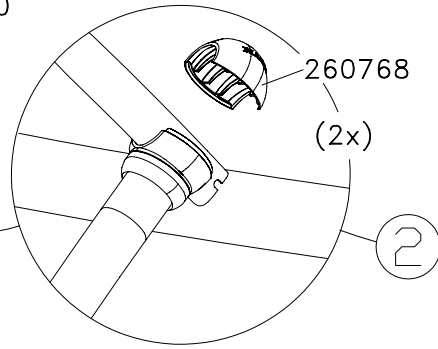
260769
(2x)



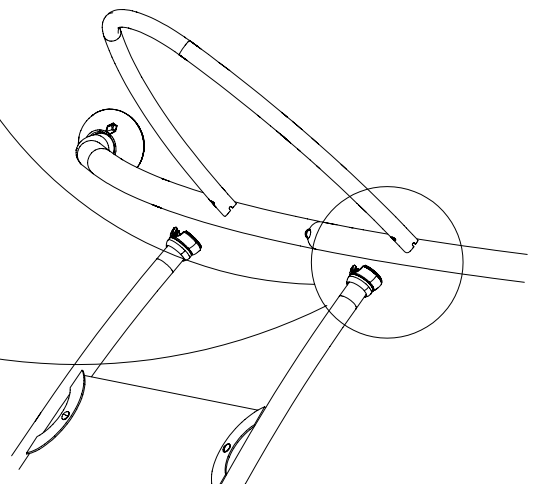
COVER 8
(261808)

MF6S 8x90
(302914)

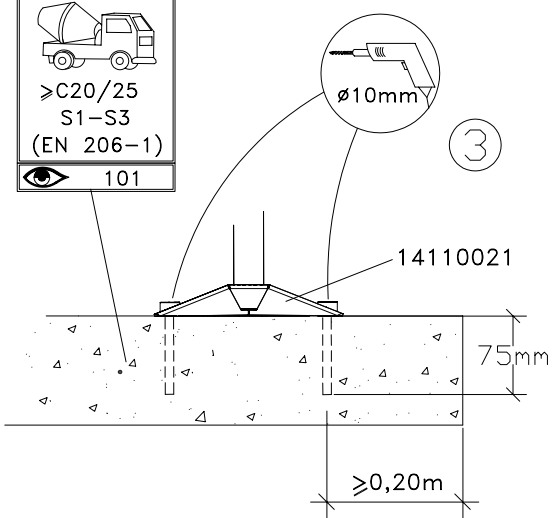
(2x)



260768
(2x)



4x24h !
>C20/25 S1-S3 (EN 206-1)
101



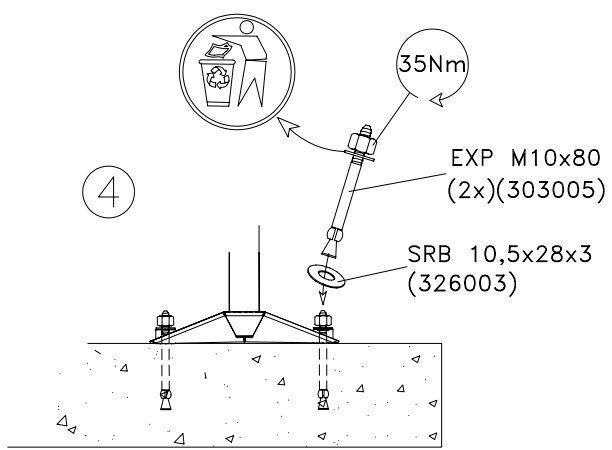
ø10mm

3

14110021

75mm

>=0,20m



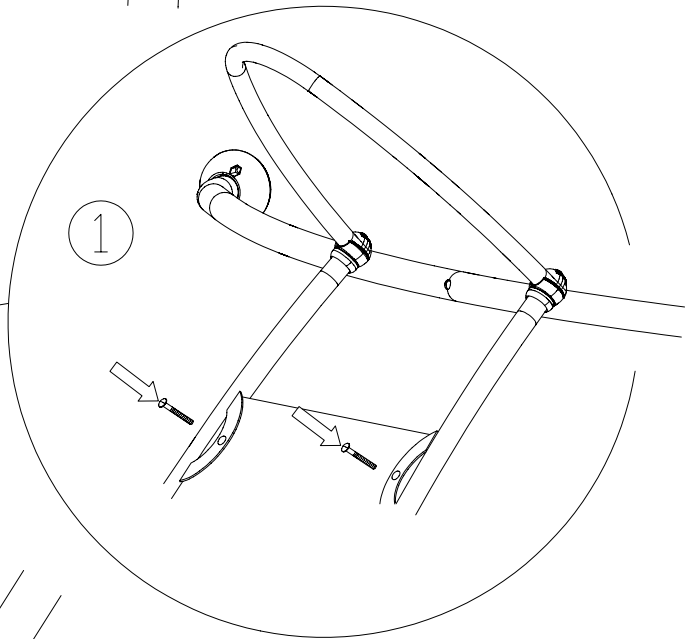
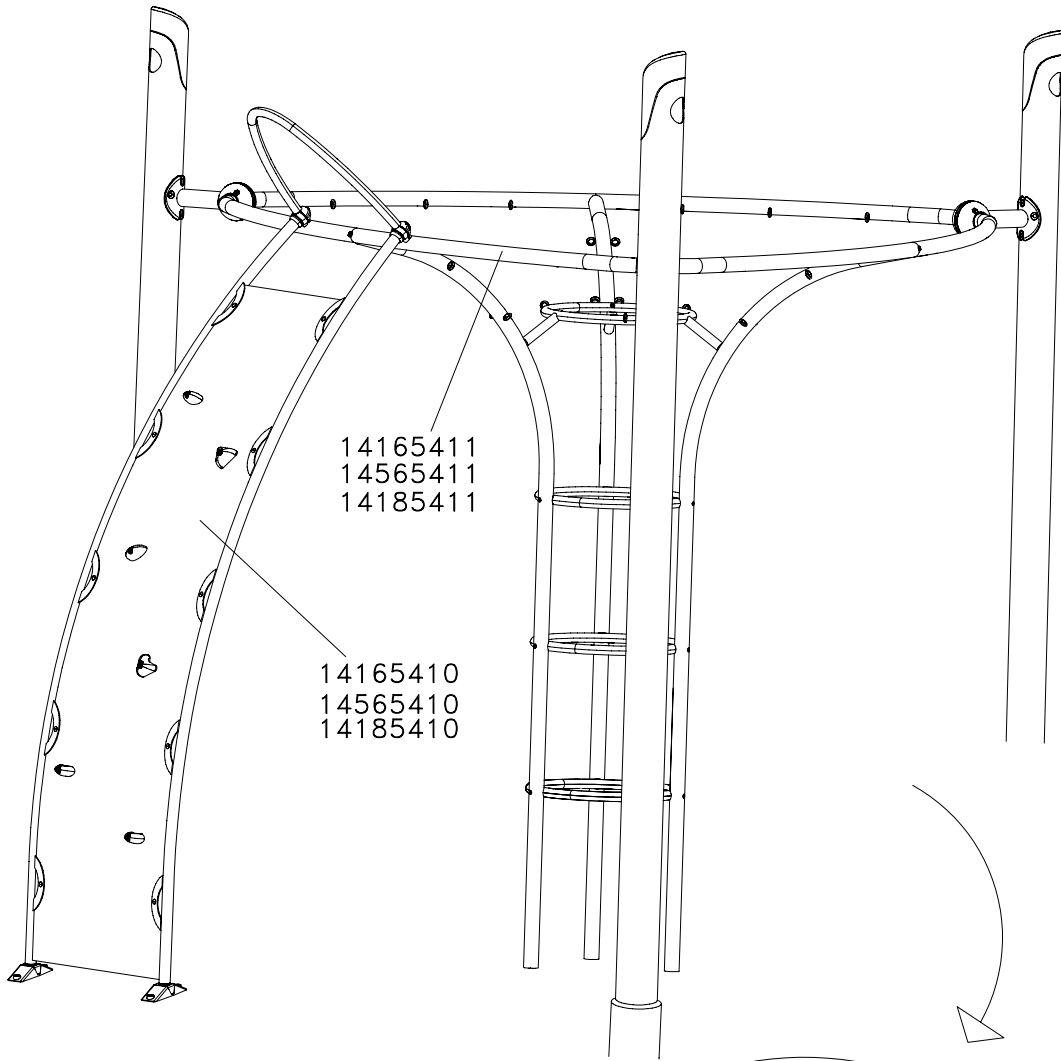
35Nm

4

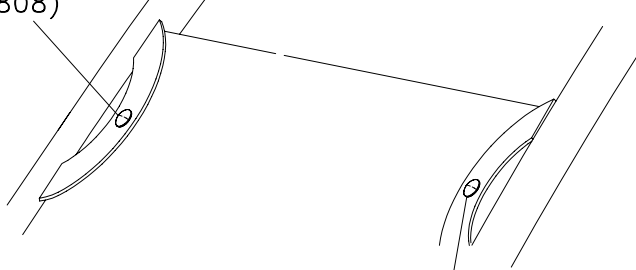
EXP M10x80
(2x)(303005)

SRB 10,5x28x3
(326003)

HAGS		ANEBY, SWEDEN	
		+46(0)380-47300	
		www.hags.com	
Steep			
142 654 OM			
2(3)			
	AK		TJ
		2009-11-13	1



COVER 8
(261808)



COVER 8
(261808)

HAGS		ANEBY, SWEDEN	
		+46(0)380-47300	
		www.hags.com	
Steep			
142 654 OM			
3(3)			
	AK		TJ
		2009-11-13	1